

Generatoranlage Budget - 5 kW / 230V

👍 Engineered and
manufactured in Germany

VOLTSTAR®

from **3.149€*** (without installation)

The inverters of the VoltStar family are modern micro controller devices, which were developed especially for mobile use. The inverter converts the voltage supplied by an externally excited synchronous generator into a pure, stable and regulated 230V / 50Hz alternating voltage.

The unit consist of following components:



Your vehicle is not included? Indeed we have a suitable solution. You can obtain mounting kits for all common commercial vehicles from us.

Our high quality and proven generator systems are still available, from 6kW - 8kW with 230V and 8kW/10kVA with 230V/400V with many additional options:

- Protection class IP66
- Driving mode and restarting, second speed at higher power
- External operating devices
- CAN and FireCAN interface
- Variable frequency drive (VFD) with VoltStar 400V
- Welding unit module for higher starting currents
- Housing design as pot generator (230V, 230V/400V) for trucks over 7.5t

Does your vehicle not have speed control? With our Speed Interface Module (SIM) it can be easily retrofitted.

**This price is valid outside EU for a Renault D15. It depends on the vehicle type, e.g. MAN TGM/TGL 3.985€.*

VoltStar Box



Voltage	230V/ Sinus
Frequency	50 Hz (+/- 0,20 Hz)
EN 50160	yes
Permanent power	5.000W
Start-up performance (300ms)	7.500W
Efficiency	up to 94%
Voltage supply	11V-30V
Temperatur range	-20°C / +60°C
Status LEDs	green and red
Weight	19 kg

VoltStar Generator



Body construction	F
Max. speed	20.000 rpm
Protection class	IP22s
Ambient conditions	-20 to +80
Weight	8,3 kg

👍 Suitable for continuous operation

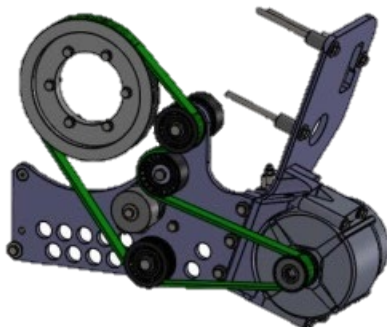
VoltStar Connection cable

- length: 8 m
- waterproof IP67 plug connection for simple installation at the alternator

VoltStar Mounting kit

In the mounting kits all necessary parts as well as a detailed installation manual are included.

In the "Budget" version all motor mounting kits are available.



Material	High strength aluminium and steel
Belt	4-10 PK
Weight	5-10 kg

👍 Low maintenance and high reliability through quality materials